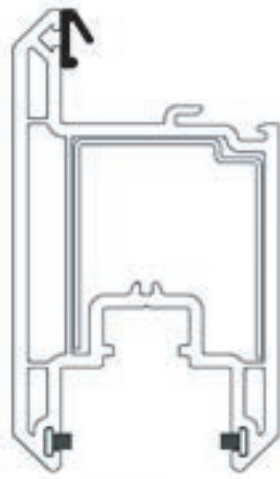
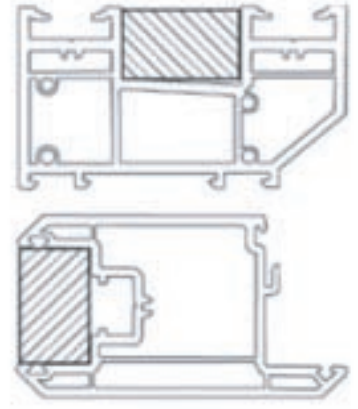


The Door Factory

Patio doors

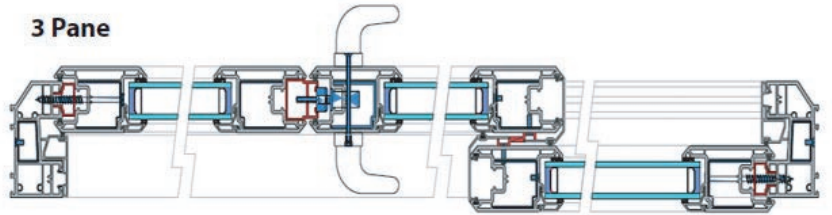


Drawing A



Drawing B

3 Pane



The patio door has a reassessed 70mm frame
 Can couple up seamlessly to all 70mm outer frames
 The patio door outer frame facilitates mechanically jointed screw ports

Large frames can be built on site and easily transported

Patio doors have a 24 and 28mm glazing option

Enhanced noise insulation and thermal properties

Recessed patio mid-rail section

Installation of a letter plate can be used without the letter plate fouling the fixed pane section

Aluminium interlock and patio door furniture screw directly into steel reinforcement

Creates a strong and stable interlock joint and enhances security for door furniture operation

Integrated interlock cover

All fixing screws used to secure interlock to door are neatly concealed for enhanced appearance

Patio doors facilitate 2, 3 and 4 pane sliding options

Wider choice of aperture options

Patio doors have concealed gaskets

Enhanced visible sightlines to mirror modern appearance on window system designs

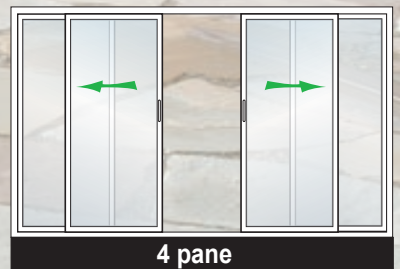
Patio doors are available in 3 foiled woodgrain options (mahogany, light oak and rosewood).



2 pane



3 pane



4 pane

Tel: 08448 151647 Fax: 01354 778016
info@dpplastics.com www.dpplastics.co.uk